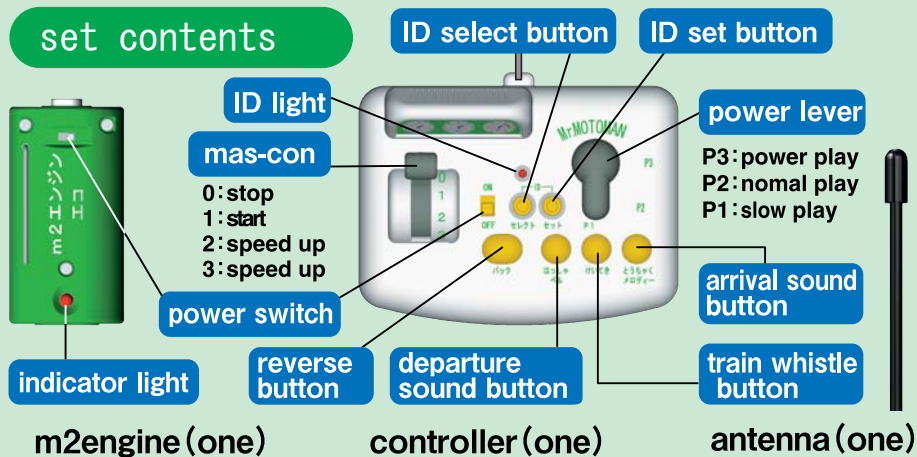
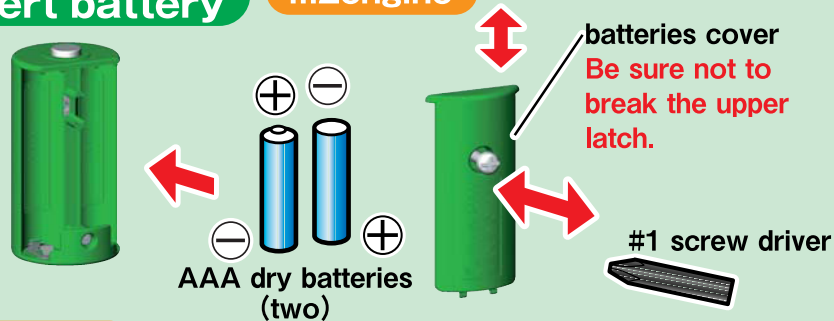


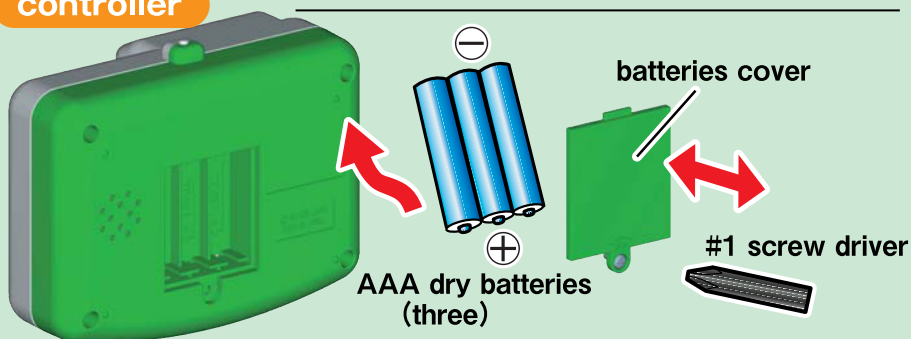
set contents



How to insert battery



controller



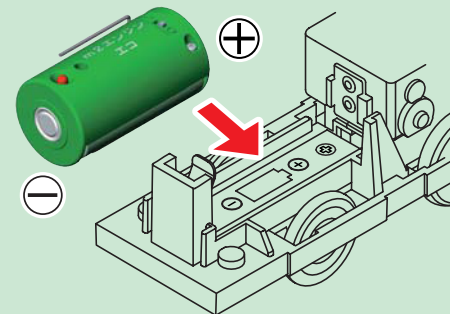
How to attach the antenna



How to play 運転じょうずエコ

● Set up

- ① Insert an m2engine into the battery box inside the train. (See diagram)
※ Be sure to orient the m2engine so as to align the positive end with the positive connector of the battery box.



● ID settings

- ① Turn on the m2engine to be set. ※ The indicator light will flash red.
- ② Turn on the controller. ※ A chime will sound and the ID light will flash red.
- ③ Using the ID select button, choose one of the four ID light colors: red, green, orange or none. Then press the ID set button.
※ A set sound will be heard and the indicator lights on both the m2engine and controller will glow steadily in the color selected.
- ④ Set the mas-con to 0. Press the reverse button several times to ensure the train with the m2engine is working properly. Set the train's power switch to the on position.

ID	1	2	3	4
ID light	red	green	orange	none

● Operating the train

- ① Ensure the mas-con is still set to 0. Set the power lever to P1 (the train should not be moving).
- ② Press the departure sound button to make your train sound a departure chime (the sound will only work if the train is stopped).
- ③ Press the train whistle button to sound a warning chime and its time to go!
- ④ Set the power lever to P1. Adjust the mas-con to 1 to start the train. Then use 2 or 3 to increase the train's speed.
- ⑤ When the train goes through tunnels, over bridges or when approaching train crossings or stations, use the train whistle to warn anyone on the tracks.
- ⑥ When the train comes close to a stop, press the arrival sound button to inform your passengers that they are going to arrive!
- ⑦ Adjust the mas-con to 2 or 1 to decrease the train's speed and to 0 to stop.
- ⑧ When you adjust the mas-con to 0, you may back up the train by pressing the reverse button.
※ If you reverse along a curve, the friction may cause the train to derail or operate improperly.

● Auto-stop function

If you leave the moving train with m2engine for 2 minutes, the train stop. and remove by the lever shift.

● Resetting the ID

- ① When you have finished playing with the train, be sure to switch off both the m2 engine and the controller. The ID will be reset for next time.